

www.zemic.nl

Miniature Sensors

ZEMIC
Measuring Excellence Worldwide

www.zemic.nl



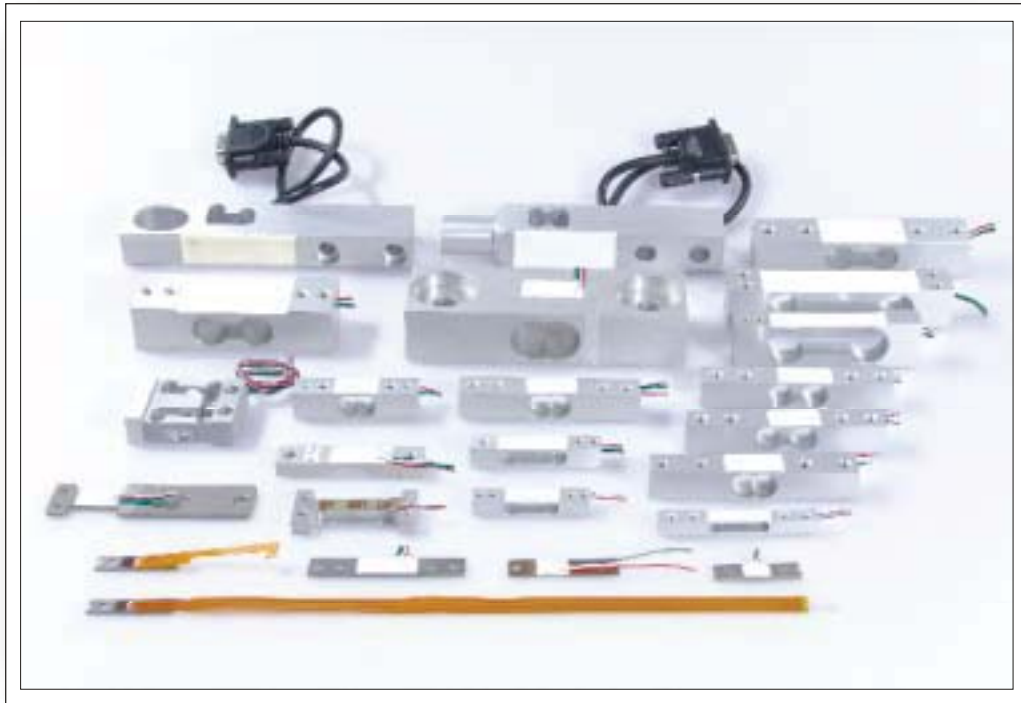
ZEMIC Europe B.V.
Add: Leerlooierstraat 8, Etten-Leur, Netherlands.
4871EN.
Tel: 31-76-5039480
Fax: 31-76-5039481
E-mail: info@zemic.nl



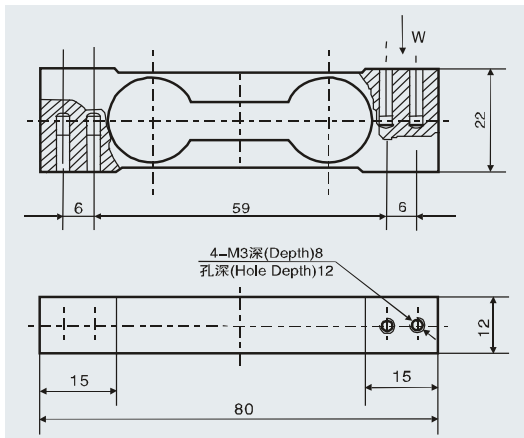
AVIATION INDUSTRY COOPERATION OF CHINA
ZHONGHANG ELECTRONIC MEASURING INSTRUMENTS CO., LTD.

1A, 1B -----	1
1F6-S, 1HM -----	2
1P, 1R1-K -----	3
1T-M, 1V3-350 -----	4
1X, 1Z -----	5
CF-1, 004-Z1 -----	6
Q45×10(8)×6-7.5G, Q45×6×6-7.5G -----	7
Q47×20×6.6, Q84×5×12-05 -----	8
Q70×5×9-H, 2A -----	9
2C1, 2D -----	10
2F, 2N -----	11

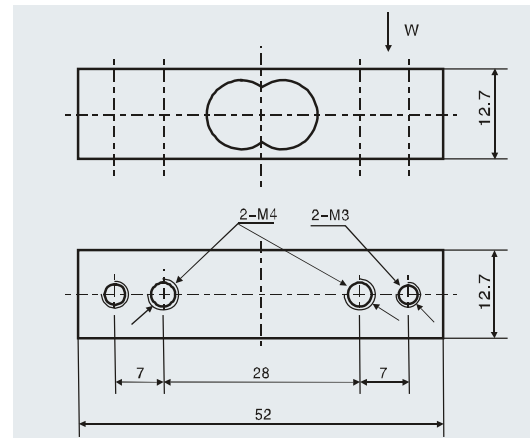
TABLE OF CONTENTS



1A



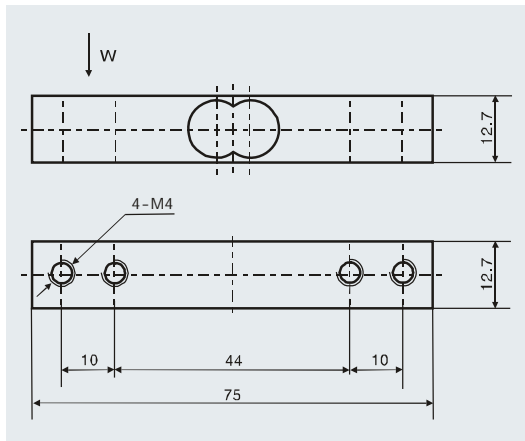
1B



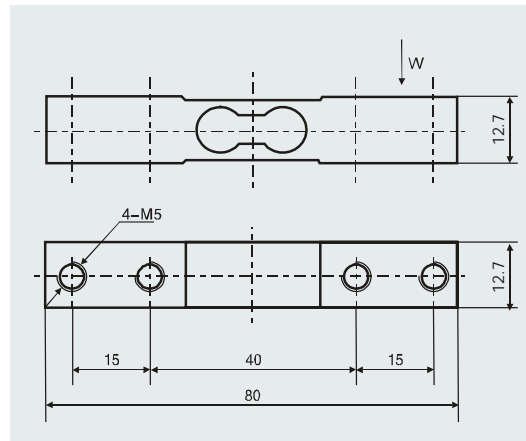
技术参数 SPECIFICATIONS

型号	Model	1A	1B
量程	Capacity	0.5 Kg、1Kg、2Kg、3Kg	5Kg、6Kg、10Kg、12Kg、15Kg、20Kg
综合误差	Combined Error	0.02	0.03
输出灵敏度	Output Sensitivity	1.2 ±0.1mV/V	1.8±0.1 mV/V
非线性	Non-linearly	±0.02%F.S.	±0.02%F.S.
重复性	Repeatability	±0.02%F.S.	±0.02%F.S.
滞后	Hysteresis	±0.02%F.S.	±0.03%F.S.
蠕变	Creep	±0.02%F.S.5min	±0.03%F.S.5min
零点温度漂移	Temp. Effect on Zero	±0.2%F.S./10°C	±0.3%F.S./10°C
额定输出温度漂移	Temp. Effect on Span	±0.02%F.S./10°C	±0.03%F.S./10°C
零点输出	Zero Balance	±0.05mV/V	±0.1 mV/V
输入电阻	Input Resistance	395±10Ω	1055±10Ω
输出电阻	Output Resistance	350±5Ω	1000±10Ω
绝缘电阻	Insulation Resistance	≥2000 MΩ (50V)	>3000 MΩ (50V)
推荐激励电压	Excitation Voltage	≤10 V	≤10 V
工作温度范围	Operation Temp. Range	-10~+40°C	-10~+40°C
过载能力	Overload Capability	150%F.S.	150%F.S.
推荐用途	Recommended Application	电子天平 Electronic Balances	手提秤 Portable Scales

1F6-S



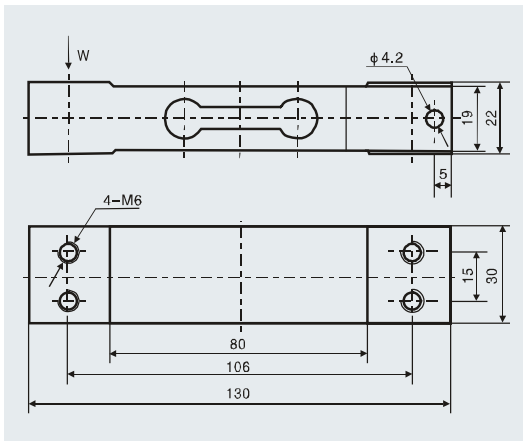
1HM



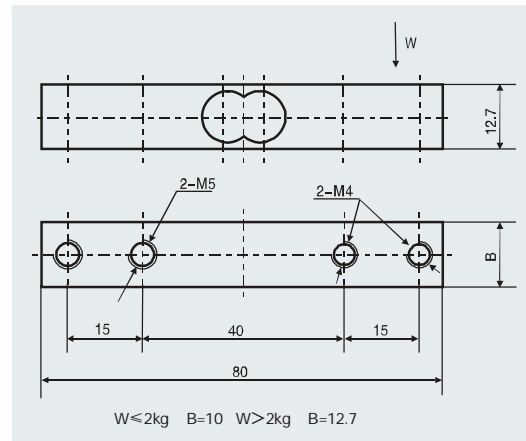
技术参数 SPECIFICATIONS

型号	Model	1F6-S	1HM
量程	Capacity	2 Kg、3 Kg、5 Kg、6 Kg	0.5Kg、1 Kg 5 Kg、8Kg、20Kg
综合误差	Combined Error	0.05	0.02
输出灵敏度	Output Sensitivity	1.05±0.15 mV/V	1.0±0.15 mV/V 1.5±0.1 mV/V
非线性	Non-linearity	±0.05%F.S.	±0.02%F.S.
重复性	Repeatability	±0.05%F.S.	±0.02%F.S.
滞后	Hysteresis	±0.05%F.S.	±0.02%F.S.
蠕变	Creep	±0.05%F.S.5min	±0.02%F.S.5min
零点温度漂移	Temp. Effect on Zero	±0.3%F.S./10°C	±0.2%F.S./10°C
额定输出温度漂移	Temp. Effect on Span	≤+0.1%F.S./10°C	±0.03%F.S./10°C
零点输出	Zero Balance	±0.2 mV/V	±0.1mV/V
输入电阻	Input Resistance	1000±100Ω	1055±10 Ω
输出电阻	Output Resistance	1000±100Ω	1000±10Ω
绝缘电阻	Insulation Resistance	≥2000 MΩ (50V)	≥2000MΩ (50V)
推荐激励电压	Excitation Voltage	≤10 V	≤10 V
工作温度范围	Operation Temp. Range	-10~+40°C	-10~+40°C
过载能力	Overload Capability	150%F.S.	150%F.S.
推荐用途	Recommended Application	厨房秤 Kitchen Scales	厨房秤 Kitchen Scales 邮资秤 Postage Scales

1P



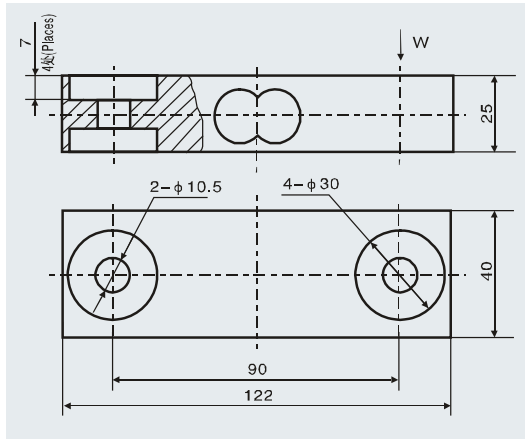
1R1-K



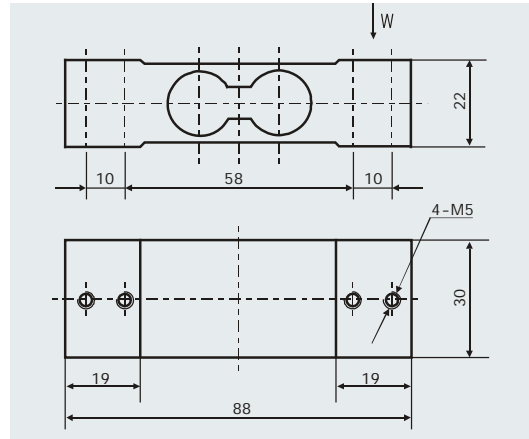
技术参数 SPECIFICATIONS

型号	Model	1P	1R1-K		
量程	Capacity	40Kg, 75Kg	0.6Kg	1Kg	2Kg, 3Kg, 5Kg, 6Kg
综合误差	Combined Error	0.03	0.03		
输出灵敏度	Output Sensitivity	2.0 mV/V	1.0mV/V	1.5 mV/V	1.2 mV/V
灵敏度公差	Sensitivity Tolerance	$\pm 0.1\text{mV/V}$	$\pm 0.15 \text{ mV/V}$		
非线性	Non-linearity	$\pm 0.02\% \text{F.S.}$	$\pm 0.03\% \text{F.S.}$		
重复性	Repeatability	$\pm 0.02\% \text{F.S.}$	$\pm 0.03\% \text{F.S.}$		
滞后	Hysteresis	$\pm 0.03\% \text{F.S.}$	$\pm 0.03\% \text{F.S.}$		
蠕变	Creep	$\pm 0.03\% \text{F.S.} 30\text{min}$	$\pm 0.03\% \text{F.S.} 5\text{min}$		
零点温度漂移	Temp. Effect on Zero	$\pm 0.1\% \text{F.S.} / 10^\circ\text{C}$	$\pm 1.0\% \text{F.S.} / 10^\circ\text{C}$	$\pm 0.3\% \text{F.S.} / 10^\circ\text{C}$	
额定输出温度漂移	Temp. Effect on Span	$\pm 0.03\% \text{F.S.} / 10^\circ\text{C}$	$\pm 0.03 \text{ F.S.} / 10^\circ\text{C}$		
零点输出	Zero Balance	$\pm 0.04 \text{mV/V}$	$\pm 0.1 \text{mV/V}$		
输入电阻	Input Resistance	$1070 \pm 10 \Omega$	1055 ± 10		
输出电阻	Output Resistance	$1000 \pm 10 \Omega$	1000 ± 10		
绝缘电阻	Insulation Resistance	$\geq 3000 \text{ M}\Omega (50\text{V})$	$\geq 2000 \text{ M}\Omega (50\text{V})$		
推荐激励电压	Excitation Voltage	$\leq 12\text{V}$	$\leq 10 \text{V}$		
工作温度范围	Operation Temp. Range	$-10 \sim +40^\circ\text{C}$	$-10 \sim +40^\circ\text{C}$		
过载能力	Overload Capability	150%F.S.	150%F.S.		
推荐用途	Recommended Application	平台秤 计价秤 Platform Scales Price Computing Scales	厨房秤 Kitchen Scales		

1T-M



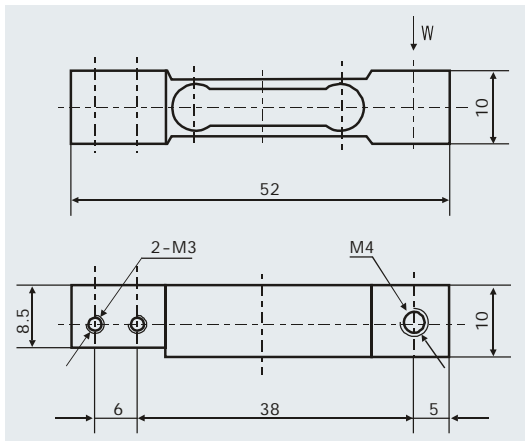
1V3-350



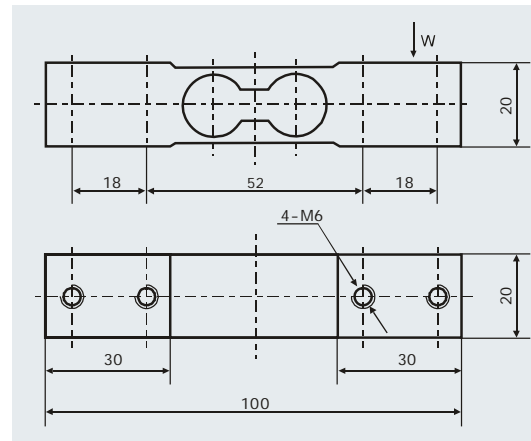
技术参数 SPECIFICATIONS

型号	Model	1T-M	1V3-350	
量程	Capacity	150Kg	5Kg	10Kg, 25Kg
综合误差	Combined Error	0.03	0.03	
输出灵敏度	Output Sensitivity	2.0±0.15 mV/V	1.6±0.1mV/V	2.0±0.2 mV/V
非线性	Non-linearity	±0.03%F.S.	±0.03%F.S.	
重复性	Repeatability	±0.03%F.S.	±0.03%F.S.	
滞后	Hysteresis	±0.03%F.S.	±0.03%F.S.	
蠕变	Creep	±0.03%F.S.5min	±0.03%F.S.5min	
零点温度漂移	Temp. Effect on Zero	±0.2%F.S./10°C	±0.5%F.S./10°C	
额定输出温度漂移	Temp. Effect on Span	<+0.1%F.S./10°C	±0.03%F.S./10°C	
零点输出	Zero Balance	±1.0 mV/V	±0.03 mV/V	
输入电阻	Input Resistance	990~1100Ω	370±20Ω	
输出电阻	Output Resistance	990~1100Ω	350±5Ω	
绝缘电阻	Insulation Resistance	≥2000 MΩ (50V)	≥2000 MΩ (50V)	
推荐激励电压	Excitation Voltage	≤10 V	≤10 V	
工作温度范围	Operation Temp. Range	-10~+40°C	-10~+40°C	
过载能力	Overload Capability	150%F.S.	150%F.S.	
推荐用途	Recommended Application	人体秤 Personal Scales	平台秤 Platform Scales	

1X



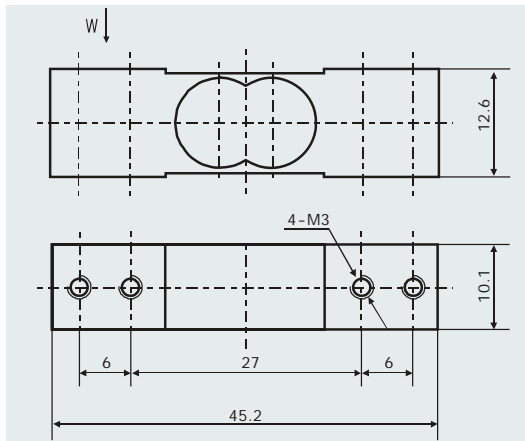
1Z



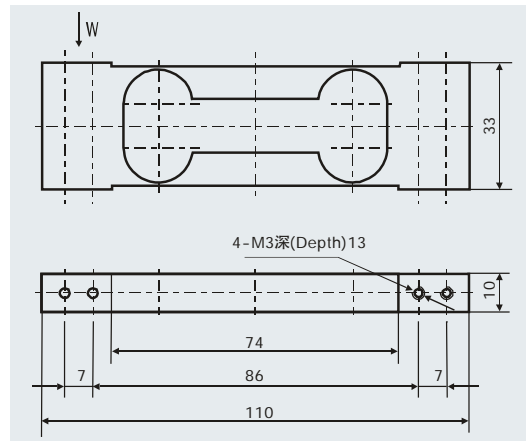
技术参数 SPECIFICATIONS

型号	Model	1X	1Z
量程	Capacity	300g、500g、600g	5~30Kg
综合误差	Combined Error	0.03	0.03
输出灵敏度	Output Sensitivity	1.0±0.1 mV/V	2.0 ±0.1mV/V
非线性	Non-linearity	±0.02%F.S.	±0.03%F.S.
重复性	Repeatability	±0.02%F.S.	±0.03%F.S.
滞后	Hysteresis	±0.02%F.S.	±0.03%F.S.
蠕变	Creep	±0.03%F.S.3min	±0.03%F.S.10min
零点温度漂移	Temp. Effect on Zero	±1.0%F.S./10°C	±0.1%F.S./10°C
额定输出温度漂移	Temp. Effect on Span	±0.05%F.S./10°C	±0.03%F.S./10°C
零点输出	Zero Balance	±0.1 mV/V	±0.04 mV/V
输入电阻	Input Resistance	1055±10Ω	1055±10Ω
输出电阻	Output Resistance	1000±10Ω	1000±10Ω
绝缘电阻	Insulation Resistance	≥2000 MΩ (50V)	≥3000 MΩ/50V
推荐激励电压	Excitation Voltage	≤10 V	≤10 V
工作温度范围	Operation Temp. Range	-10~+40°C	-10~+40°C
过载能力	Overload Capability	150%F.S.	150%F.S.
推荐用途	Recommended Application	手掌秤 Handable Scales	平台秤 Platform Scales 计价秤 Price Computing Scales

CF-1



004-Z1

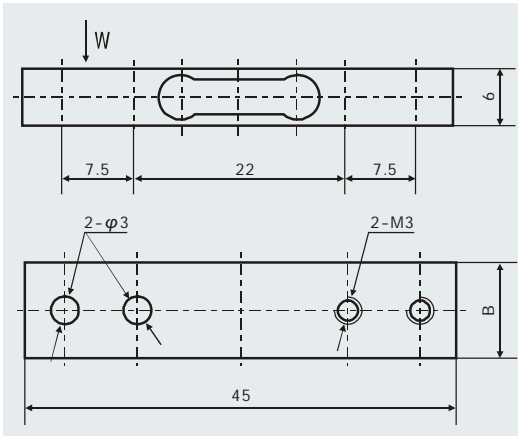
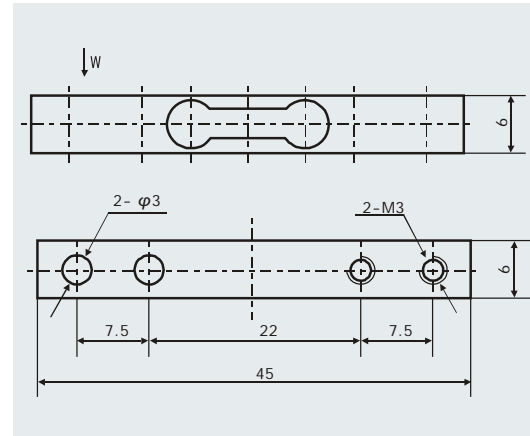


技术参数 SPECIFICATIONS

型号	Model	CF-1	004-Z1
量程	Capacity	1Kg	0.3 Kg、0.6 Kg、0.75 Kg、1.5Kg、3Kg
综合误差	Combined Error	0.1	0.02
输出灵敏度	Output Sensitivity	0.5±0.05 mV/V	0.9 ±0.1mV/V
非线性	Non-linearity	±0.05%F.S.	±0.02%F.S.
重复性	Repeatability	±0.05%F.S.	±0.02%F.S.
滞后	Hysteresis	±0.05%F.S.	±0.02%F.S.
蠕变	Creep	±0.05%F.S.5min	±0.02%F.S.5min
零点温度漂移	Temp. Effect on Zero	±0.2%F.S./10°C	±0.1%F.S./10°C
额定输出温度漂移	Temp. Effect on Span	<+0.1%F.S./10°C	±0.03%F.S./10°C
零点输出	Zero Balance	±0.5mV/V	±0.02mV/V
输入电阻	Input Resistance	350±20Ω	395±10Ω
输出电阻	Output Resistance	350±20Ω	350±10Ω
绝缘电阻	Insulation Resistance	≥2000 MΩ (50V)	≥3000 MΩ (50V)
推荐激励电压	Excitation Voltage	≤6 V	≤10 V
工作温度范围	Operation Temp. Range	-10~+40°C	-10~+40°C
过载能力	Overload Capability	150%F.S.	150%F.S.
推荐用途	Recommended Application	厨房秤 Kitchen Scales	电子天平 Electronic Balances

Q45×10(8)×6-7.5G

型号 Part number	Q45X8X6-7.5G	Q45X10X6-7.5G
B	8	10

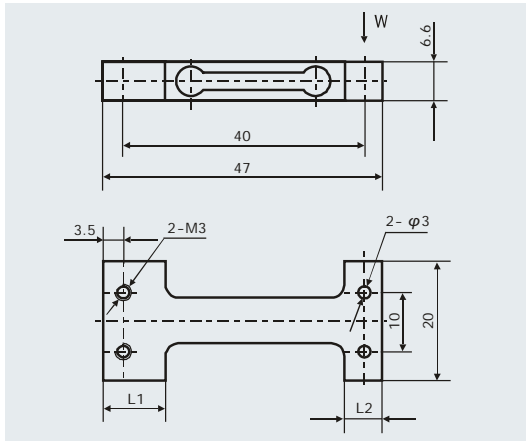
**Q45×6×6-7.5G****技术参数 SPECIFICATIONS**

型号	Model	Q45×8×6-7.5G	Q45×10×6-7.5G	Q45×6×6-7.5G
量程	Capacity	200g、300g	500g、750g	150g
综合误差	Combined Error	0.05		0.05
输出灵敏度	Output Sensitivity	0.6±20% mV/V	0.8±20% mV/V	0.7±20% mV/V
非线性	Non-linearity	±0.05%F.S.		±0.05%F.S.
重复性	Repeatability	±0.05%F.S.		±0.05%F.S.
滞后	Hysteresis	±0.05%F.S.		±0.05%F.S.
蠕变	Creep	±0.05%F.S. 3min		±0.05%F.S. 3min
零点温度漂移	Temp. Effect on Zero	±2.0%F.S./10°C		±2.0%F.S./10°C
额定输出温度漂移	Temp. Effect on Span	±0.05%F.S./10°C		±0.05%F.S./10°C
零点输出	Zero Balance	±0.1 mV/V		±0.1 mV/V
输入电阻	Input Resistance	1055±10 Ω		1055±10 Ω
输出电阻	Output Resistance	1000±10 Ω		1000±10 Ω
绝缘电阻	Insulation Resistance	≥2000 $M\Omega$ (50V)		≥2000 $M\Omega$ (50V)
推荐激励电压	Excitation Voltage	≤6 V		≤6 V
工作温度范围	Operation Temp. Range	-10~+40 °C		-10~+40 °C
过载能力	Overload Capability	150%F.S.		150%F.S.
推荐用途	Recommended Application	手掌秤 Handable Scales		手掌秤 Handable Scales

Q47×20×6.6



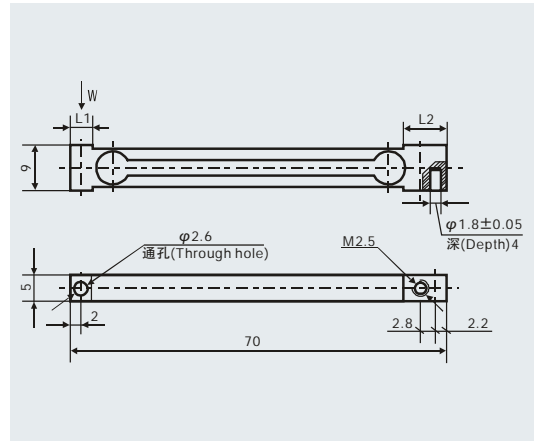
100g、120g L1=10.5 L2=6.5
300g、500g、1000g L1=6.5 L2=6.5



Q70×5×9-H



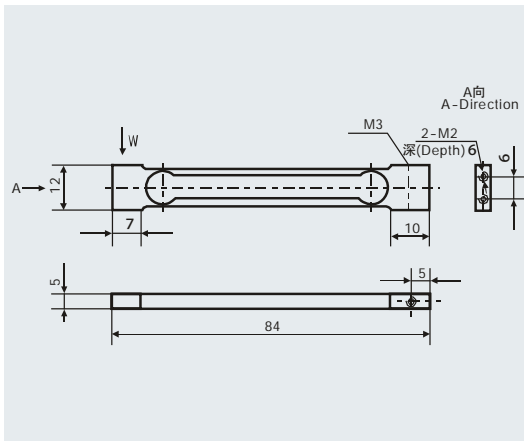
20g、30g、50g、100g L1=4 L2=8
200g L1=8 L2=10



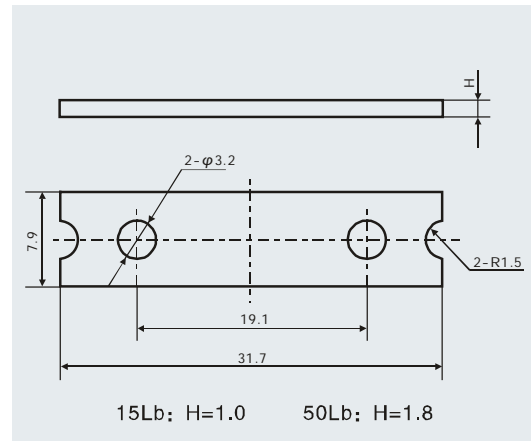
技术参数 SPECIFICATIONS

型号	Model	Q47×20×6.6		Q70×5×9-H
量程	Capacity	100g、120g	300g、500g、1000g	20g、30g、50g、100g、200g
综合误差	Combined Error	0.05		0.05
输出灵敏度	Output Sensitivity	0.6±20% <i>mV/V</i>	0.9±20% <i>mV/V</i>	0.5±0.15 <i>mV/V</i>
非线性	Non-linearity	±0.05 %F.S.		±0.05 %F.S.
重复性	Repeatability	±0.05%F.S.		±0.05 %F.S.
滞后	Hysteresis	±0.05 %F.S.		±0.05 %F.S.
蠕变	Creep	±0.05%F.S. 3min		±0.05%F.S. 3min
零点温度漂移	Temp. Effect on Zero	±2.0%F.S./10°C		±2.0%F.S./10°C
额定输出温度漂移	Temp. Effect on Span	±0.05%F.S./10°C		±0.05%F.S./10°C
零点输出	Zero Balance	±0.5 <i>mV/V</i>		±0.5 <i>mV/V</i>
输入电阻	Input Resistance	1055±10Ω		1055±10Ω
输出电阻	Output Resistance	1000±10Ω		1000±10Ω
绝缘电阻	Insulation Resistance	≥2000 MΩ (50V)		≥2000 MΩ (50V)
推荐激励电压	Excitation Voltage	≤6 V		≤6 V
工作温度范围	Operation Temp. Range	-10~+40°C		-10~+40 °C
过载能力	Overload Capability	150%F.S		150 %F.S.
推荐用途	Recommended Application	手掌秤 Handable Scales		手掌秤 Handable Scales

Q84 × 5 × 12 - 05



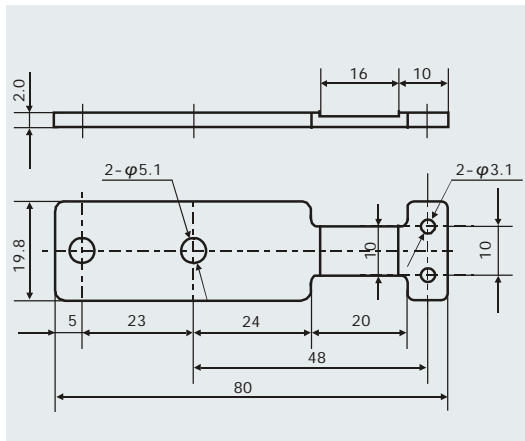
2A



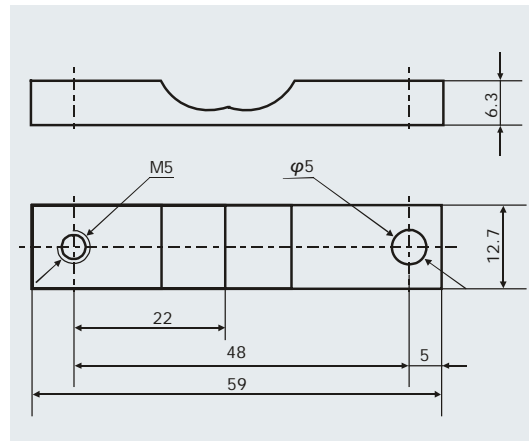
技术参数 SPECIFICATIONS

型号	Model	Q84×5×12-05	2A	2A-K
量程	Capacity	20g、30g、50g、100g	15 Lb、 50Lb	
综合误差	Combined Error	0.05	0.1	
输出灵敏度	Output Sensitivity	0.5±0.15 mV/V	1.5±0.15mV/V	
非线性	Non-linearity	±0.05 %F.S.	±0.1%F.S.	
重复性	Repeatability	±0.05 %F.S.	±0.1%F.S.	
滞后	Hysteresis	±0.05 %F.S.	±0.1 %F.S.	
蠕变	Creep	±0.05%F.S. 3min	±0.1%F.S. 5min	
零点温度漂移	Temp. Effect on Zero	±2.0%F.S./10°C	±0.3 %F.S./10°C	
额定输出温度漂移	Temp. Effect on Span	±0.05%F.S./10°C	≤+0.3 %F.S./10°C	
零点输出	Zero Balance	±0.5 mV/V	±1.0 mV/V	
输入电阻	Input Resistance	1055±10Ω	350±50Ω	1000±100Ω
输出电阻	Output Resistance	1000±10Ω	350±50Ω	1000±100Ω
绝缘电阻	Insulation Resistance	≥2000 MΩ (50V)	≥2000 MΩ (50V)	
推荐激励电压	Excitation Voltage	≤6 V	≤6 V	
工作温度范围	Operation Temp. Range	-10~+40°C	-10~+40°C	
过载能力	Overload Capability	150 %F.S.	150 %F.S.	
推荐用途	Recommended Application	手掌秤 Handable Scales	钓鱼秤 Fishing Scales	

2C1



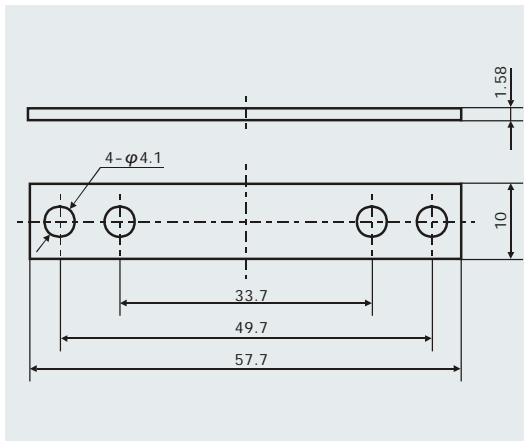
2D



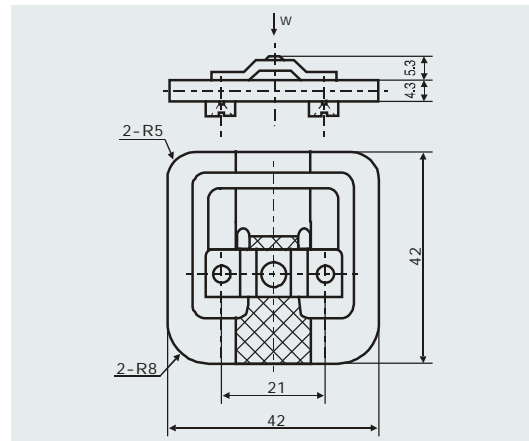
技术参数 SPECIFICATIONS

型号	Model	2C1	2C1-K	2D
量程	Capacity	10Kg		24Kg
综合误差	Combined Error	0.07		0.05
输出灵敏度	Output Sensitivity	0.6±0.1 mV/V		2.8±0.2 mV/V
非线性	Non-linearity	±0.05%F.S.		±0.05%F.S.
重复性	Repeatability	±0.05%F.S.		±0.05%F.S.
滞后	Hysteresis	±0.05%F.S.		±0.05%F.S.
蠕变	Creep	±0.07%F.S.2min		±0.05%F.S3min
零点温度漂移	Temp. Effect on Zero	±0.2%F.S./10°C		±0.2%F.S/10°C
额定输出温度漂移	Temp. Effect on Span	≤+0.2%F.S./10°C		≤+0.3%F.S/10°C
零点输出	Zero Balance	±1.0mV/V		±0.5 mV/V
输入电阻	Input Resistance	350±50Ω	1000±100Ω	1100±100Ω
输出电阻	Output Resistance	350±50Ω	1000±100Ω	1100±100Ω
绝缘电阻	Insulation Resistance	≥2000 MΩ (50V)		≥2000 MΩ (50V)
推荐激励电压	Excitation Voltage	≤6 V		≤6V
工作温度范围	Operation Temp. Range	-10~+40°C		-10~+40°C
过载能力	Overload Capability	150%F.S.		150%F.S.
推荐用途	Recommended Application	人体秤 Personal Scales		人体秤 Personal Scales

2F



2N



技术参数 SPECIFICATIONS

型号	Model	2F
量程	Capacity	20Kg
综合误差	Combined Error	0.1
输出灵敏度	Output Sensitivity	2.5±0.4 mV/V
非线性	Non-linearity	±0.05%F.S.
重复性	Repeatability	±0.05%F.S.
滞后	Hysteresis	±0.05%F.S.
蠕变	Creep	±0.1%F.S.3min
零点温度漂移	Temp. Effect on Zero	±0.3%F.S./10°C
额定输出温度漂移	Temp. Effect on Span	≤+0.3%F.S./10°C
零点输出	Zero Balance	±1.0 mV/V
输入电阻	Input Resistance	350±50Ω
输出电阻	Output Resistance	350±50Ω
绝缘电阻	Insulation Resistance	≥2000 MΩ (50V)
推荐激励电压	Excitation Voltage	≤10 V
工作温度范围	Operation Temp. Range	-10~+40°C
过载能力	Overload Capability	150%F.S.
推荐用途	Recommended Application	人体秤 Personal Scales

型号	Model	2N
量程	Capacity	40 Kg
桥路形式	Bridge Form	半桥 Half bridge
灵敏度	Output Sensitivity	0.8±0.1 mV/V
每套零点平衡	Zero Blance Per set	±1.0 mV/V
零点温度漂移	Temp. Effect On Zero	±1.0%/10°C
额定输出温度漂移	Temp. Effect On Output	±1.0%/10°C
非线性	Non-linearity	±0.07% F.S
滞后	Hysteresis	±0.1% F.S
重复性	Repeatability	±0.05% F.S
蠕变	Creep	±0.05% F.S.1min
单臂电阻	Single Bridge Arm Resistance	1000±20Ω
推荐激励电压	Excitation Voltage	≤10 V
绝缘电阻	Insulation Resistance	≥2000 MΩ/50V
工作温度范围	Operation Temp. Range	0~+40°C
过载能力	Overload Capability	150%
四只一组使用，一组中四只传感器灵敏度分散为±0.01mV/V Four sensors using in one group, sensitivity decentralization of each sensors is±0.01mV/V		
推荐用途	Recommended Use	人体秤 Personal Scales